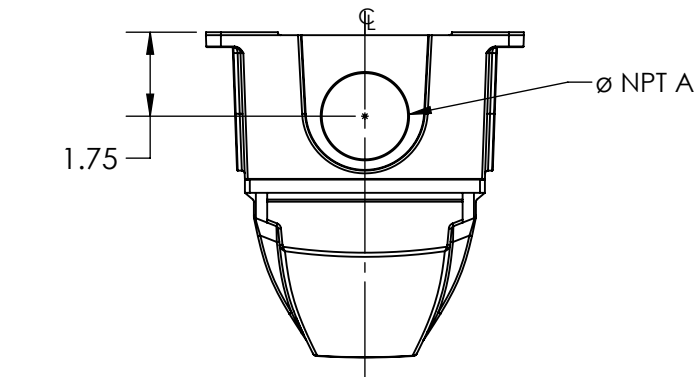
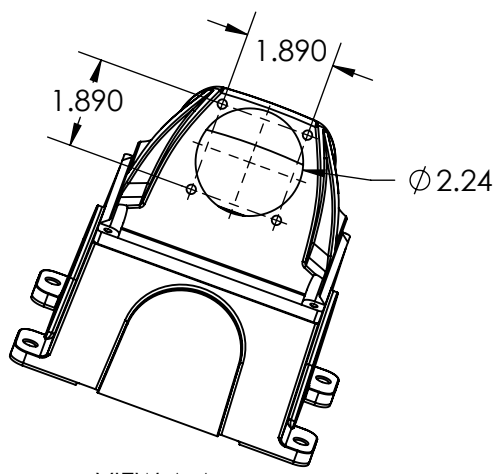
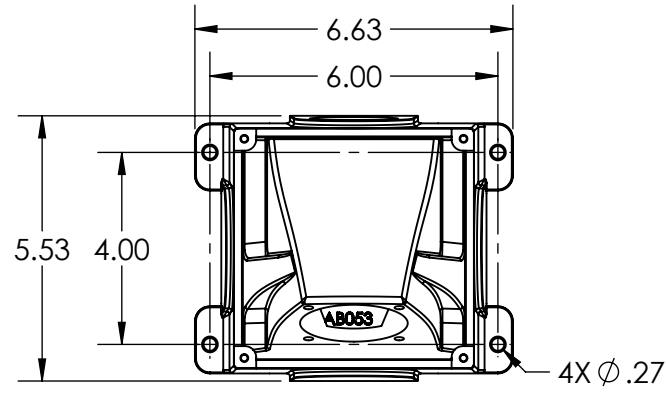
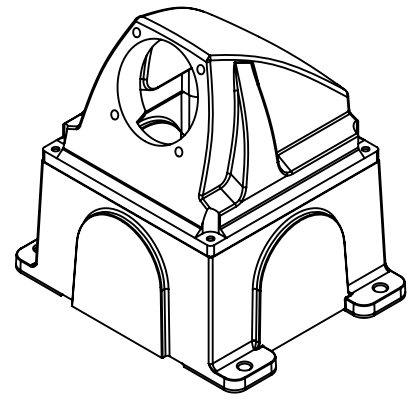


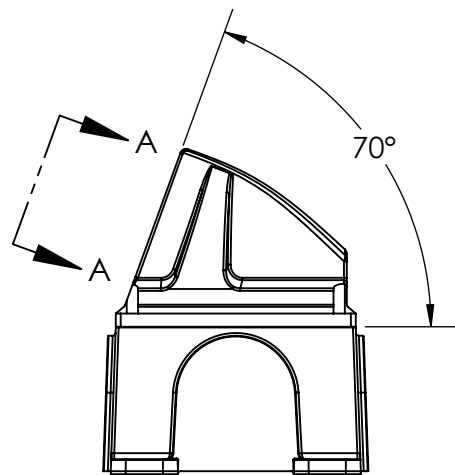
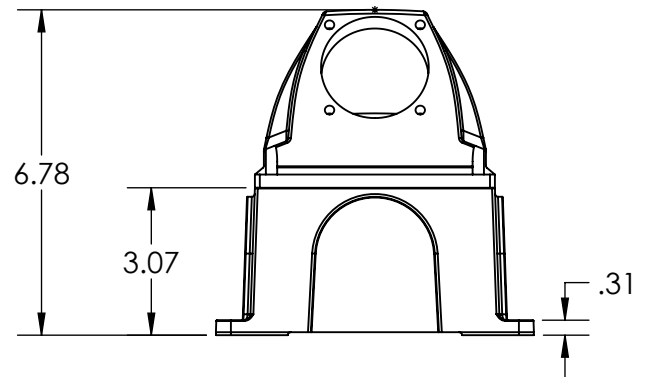
This drawing is the property of MELTRIC Corporation, Franklin (Milwaukee) Wisconsin, USA. Any unauthorized copying of this drawing by any means, ENG/RD/06 REV: 20 ISSUED DATE: 1/15/11 or disclosure of its contents to any person not authorized by MELTRIC Corporation or its agents to receive it, is strictly prohibited.



PART NUMBER	NPT A SIZE
712C7N05	1/2" NPT
712C7N07	3/4" NPT
712C7N10	1" NPT
712C7N12	1-1/4" NPT
712C7N15	1-1/2" NPT



VIEW A-A



TOLERANCES UNLESS OTHERWISE SPECIFIED		ENGLISH 0.X ±0.05 0.XX ±0.01 0.XXX ±0.005
MACHINED SURFACES $\sqrt[125]{\text{MAX}}$ GROUND SURFACES $\sqrt[32]{\text{MAX}}$ ANGLE TOLERANCE ±1° REMOVE BURRS & SHARP EDGES TO .015 MAX.	DIMENSIONS SHOWN IN OVALS ARE INSPECTION DIMENSIONS.	

 A COMPANY OF MARÉCHAL ÉLECTRIC		DRAWING TITLE:	
		POLY 70°, ALUM WALL BOX	
DATE:	SCALE:	MATERIAL:	
	NTS	METAL BOX WITH POLY ANGLE	
SHEET:	PART NUMBER:	REVISION:	
1 OF 1	712C7Nxx		